

VACUUM FILTERS-PLASTIC



- ▶ To filter dust and other small particles from the vacuum flow.
- ▶ Reduces the risk of operation breakdown or stoppage in the pump.
- ▶ Replaceable filter element.

TECHNICAL DATA

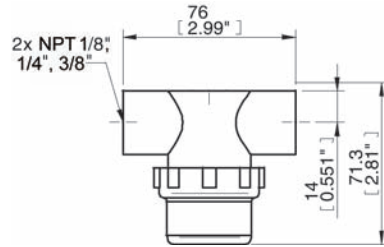
Description	Unit	Value
Pressure range	psi	-14.5-0
Material		PA, PC, PE
Temperature range	°F	-4-212
Removal efficiency	µm	10

TECHNICAL DATA, SPECIFIC

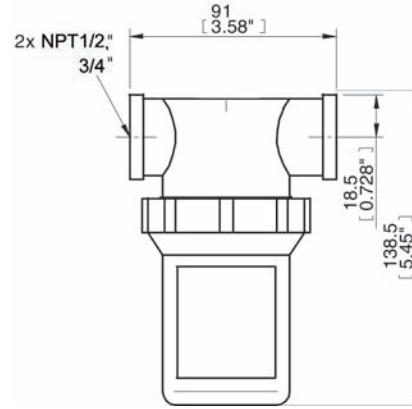
Description	Unit	PPSF.125-X10	PPSF.25-X10	PPSF.375-X10	PPSF.5-X35	PPSF.75-X35	PPSF1.0-X50	PPSF1.5-X75
Weight	oz	1.70	1.98	2.47	6.61	6.42	15.0	18.8
Flow nominal	cf/s	0.05	0.07	0.09	0.53	0.53	1.48	3.00
Volume Internal	in ³	2.10	2.40	2.70	11.9	12.5	30.2	41.2
Filter area	in ²	4.90	4.90	4.90	16.0	16.0	29.5	35.0

ORDERING INFORMATION

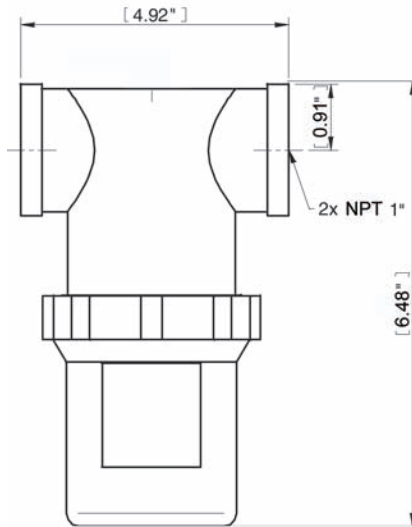
	Description	Part No.
A	Vacuum filter 1/8" NPT	PPSF.125-X10
A	Vacuum filter 1/4" NPT	PPSF.25-X10
A	Vacuum filter 3/8" NPT	PPSF.375-X10
B	Vacuum filter 1/2" NPT	PPSF.5-X35
B	Vacuum filter, 3/4" NPT	PPSF.75-X35
C	Vacuum filter 1" NPT	PPSF1.0-X50
D	Vacuum filter 1 1/2" NPT	PPSF1.5-X75



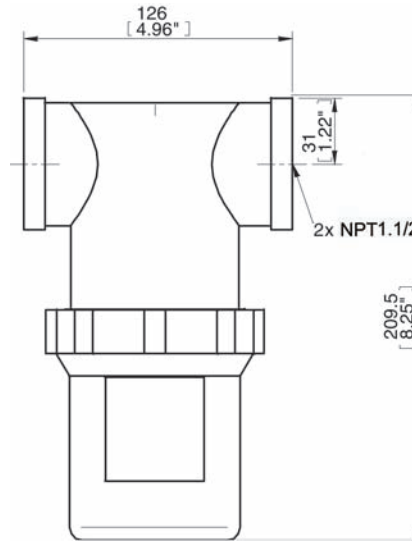
A



B



C



D

TECHNICAL DATA, ACCESSORIES

Description	Unit	Value			
		PPX10RE	PPX35RE	PPX50RE	PPX75RE
Weight	oz	0.25	0.92	1.82	2.61
Filter area	in ²	4.90	16.0	29.5	35.0
Removal efficiency	µm	10	10	10	10

ORDERING INFORMATION, ACCESSORIES

Description	Part No.
Filter element X10	PPX10RE3
Filter element X35	PPX35RE3
Filter element X50	PPX50RE3
Filter element X75	PPX75RE3

All filter elements are sold as a 3-Pack

VACUUM FILTERS-METAL



- ▶ To filter dust and other small particles from the vacuum flow.
- ▶ Reduces the risk of operation breakdown or stoppage in the pump.
- ▶ Replaceable filter element.
- ▶ Rugged construction.

TECHNICAL DATA

Description	Unit	Value
Pressure range	psi	-14.5-0
Material		Steel, NBR, PE
Temperature range	°F	-22-194
Removal efficiency	µm	10

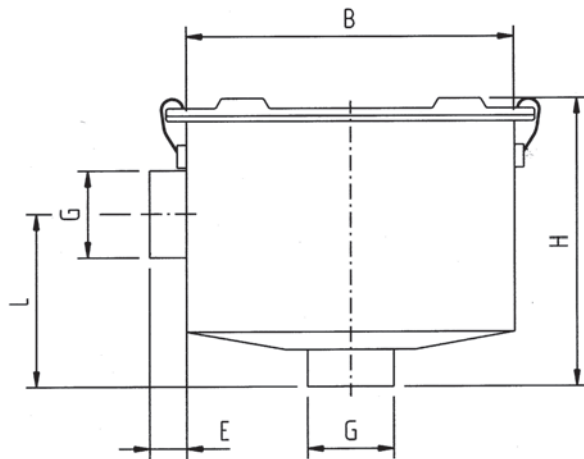
TECHNICAL DATA, SPECIFIC

Description	Unit	PSF.375	PSF.5B	PSF.75B	PSF1.0	PSF1.5	PSF2.0
Weight	lb	1.00	1.00	1.00	2.20	4.60	10.8
Flow nominal	cf/s	0.23	0.35	0.35	0.42	1.33	2.50
Volume Internal	in ³	23.5	23.5	23.5	58.9	192	377
Filter area	in ²	54.7	54.7	54.7	86.4	288	648

ORDERING INFORMATION

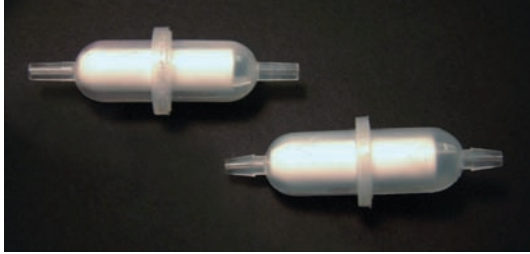
Part No.	H in	L in	B in	E in	G in	Filter Element Part No.
PSF.375	3.80	2.05	3.78	0.86	NPT 3/8"	PSF.375RE
PSF.5B	3.80	2.05	3.78	0.86	NPT 1/2"	PSF.375RE
PSF.75B	3.83	2.08	3.78	0.75	NPT 3/4"	PSF.375RE
PSF1.0	4.37	2.63	5.00	0.75	NPT 1"	PSF.5RE
PSF1.5	6.50	4.50	6.81	0.75	NPT 1 1/2"	PSF1.5RE
PSF2.0	10.3	5.50	7.63	1.25	NPT 2"	PSF2.0RE

Note: The PSF1.5 and PSF2.0 are available with a steel mesh element. Add "XM" after the Part No. for the complete filter or just the filter element.



Accessories

INLINE FILTERS



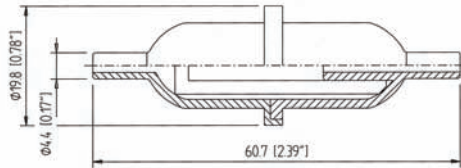
- ▶ In-Line filters from POREX™ Technologies.
- ▶ Translucent, inert polypropylene housing allows for visual inspection.
- ▶ These miniature filters can be used on compressed air lines or vacuum lines to protect vacuum pumps, vacuum switches and valves from contamination.
- ▶ Filter is constructed of chemically inert porous polyethylene and has a recommended working pressure up to 65 psig.

TECHNICAL DATA

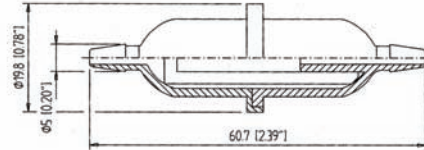
Description	Unit	Value
Pressure range	psi	-14.69-65
Material		PP, PE
Temperature range	°F	32-176
Weight	oz	0.14

ORDERING INFORMATION

Part No.	Type
X-7438	10 micron, barbed
X-6621	10 micron, luer
X-7439	25 micron, barbed
X-6618	25 micron, luer



Luer



Barbed